

Technical manual

Dual PT1000 Module

Published: 16 January 2024

The Dual PT1000 module is a module that fits inside the ELT-2 and is intended for connecting one or two PT1000 platinum sensors.

Features

- Easy use with PT-1000 (RTD platinum sensor)
- 2-wire connection
- Measures -200 to 400 °C
- Fits inside the ELT-2 box
- Powered by the ELT-2 internal battery
- Very low energy consumption
- Terminal block for easy connection

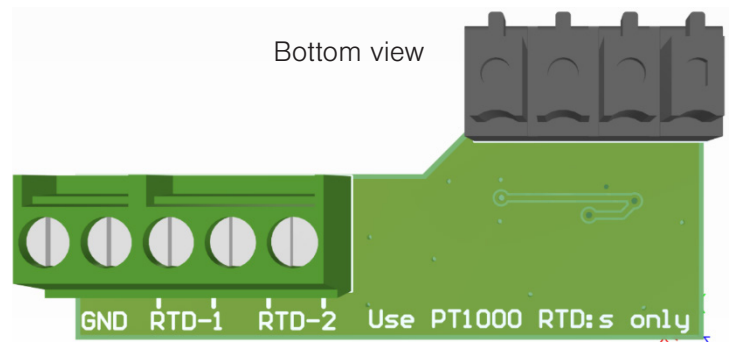
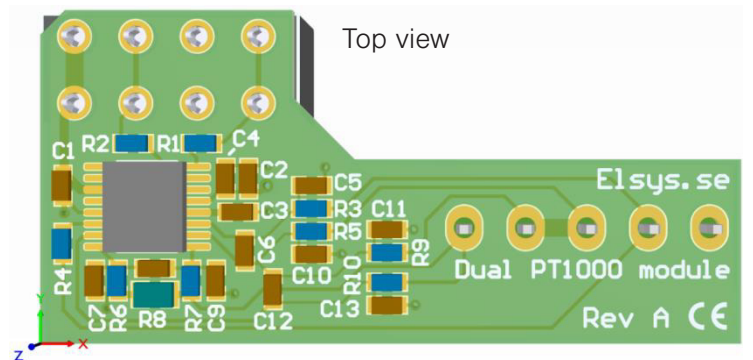
Accuracy

± 0.1 °C (-40 to 200°C) + sensor deviation.

± 0.5 °C (full span) + sensor deviation.

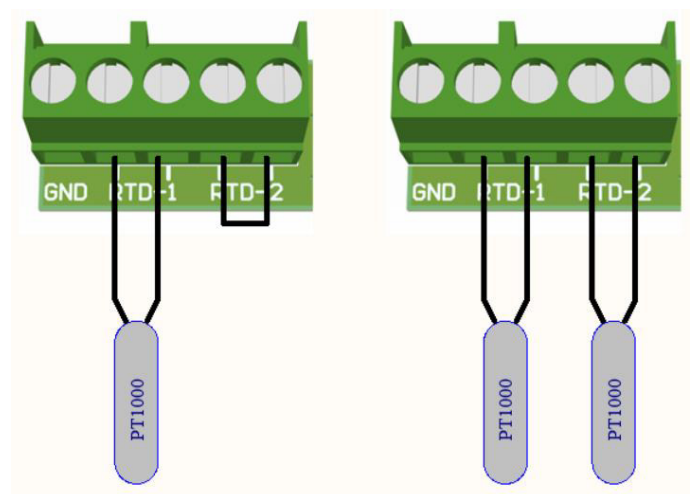
Using the module

- Set external sensor in the ELT2 to "Dual PT1000".
- Read temperature value from RTD1 in degrees Celsius with data type "External temperature" (0x0C)
- Read temperature value from RTD2 in degrees Celsius with data type "External temperature 2" (0x19)



Connection of one PT1000

Connection of two PT1000



Address

Tvistevägen 48
90736 Umeå
Sweden

Webpage

www.elsys.se
www.elsys.se/shop

E-mail

support@elsys.se