



Technical Manual

PT100 module

The PT100 module is a module that fits inside the ELT LoRa and is intended for connecting a PT100 platinum sensor with 2- or 4-wire connection.

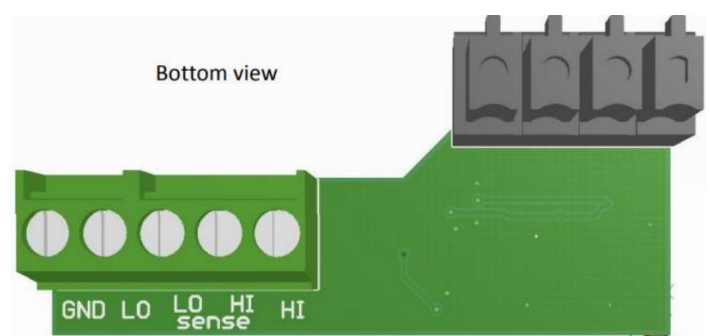
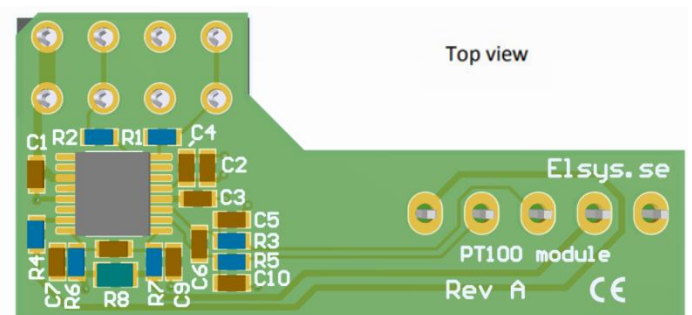
Features

- Easy use with PT-100 (RTD platinum sensor)
- 2- or 4-wire connection
- Measures -200 to 790 °C
- Fits inside the ELT LoRa box
- Powered by the ELT LoRa internal battery
- Very low energy consumption
- Terminal block for easy connection

Accuracy (RTD)

± 0.1 °C (-40 to 200°C) + sensor deviation.

± 0.5 °C (full span) + sensor deviation.



2-wire connection

4-wire connection



Using the PT100 module with a PT100 RTD

- Set external sensor in the ELT LoRa to "PT100"
- Make sure the external period isn't set to zero.
- Read temperature value in degrees Celsius with data type "External temperature" (0x0C)

