



Technical Manual

Dual PT1000 module

The Dual PT1000 module is a module that fits inside the ELT LoRa and is intended for connecting one or two PT1000 platinum sensors.

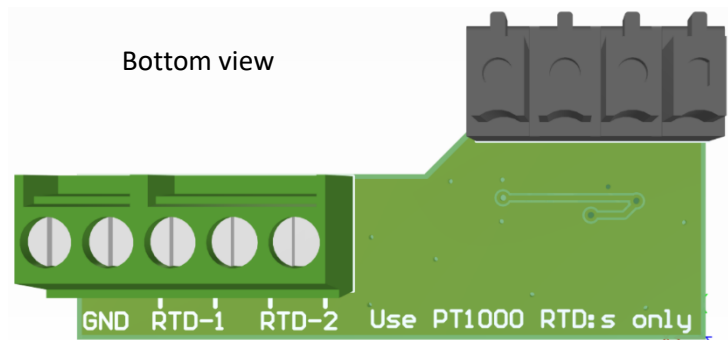
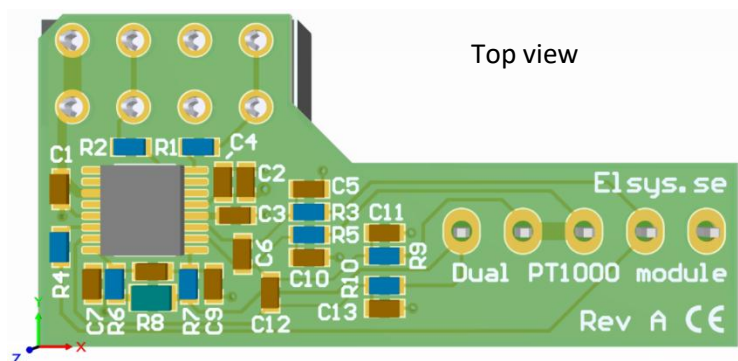
Features

- Easy use with PT-1000 (RTD platinum sensor)
- 2-wire connection
- Measures -200 to 400 °C
- Fits inside the ELT LoRa box
- Powered by the ELT LoRa internal battery
- Very low energy consumption
- Terminal block for easy connection

Accuracy

± 0.1 °C (-40 to 200°C) + sensor deviation.

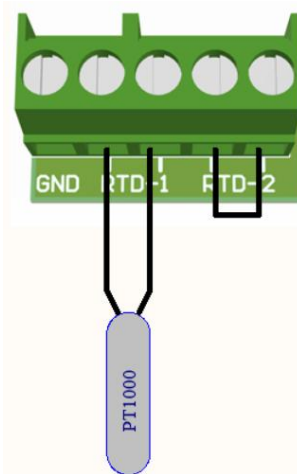
± 0.5 °C (full span) + sensor deviation.



Using the module

- Set external sensor in the ELT LoRa to "Dual PT1000".
- Read temperature value from RTD1 in degrees Celsius with data type "External temperature" (0x0C)
- Read temperature value from RTD2 in degrees Celsius with data type "External temperature 2" (0x19)

Connection of one PT1000



Connection of two PT1000

